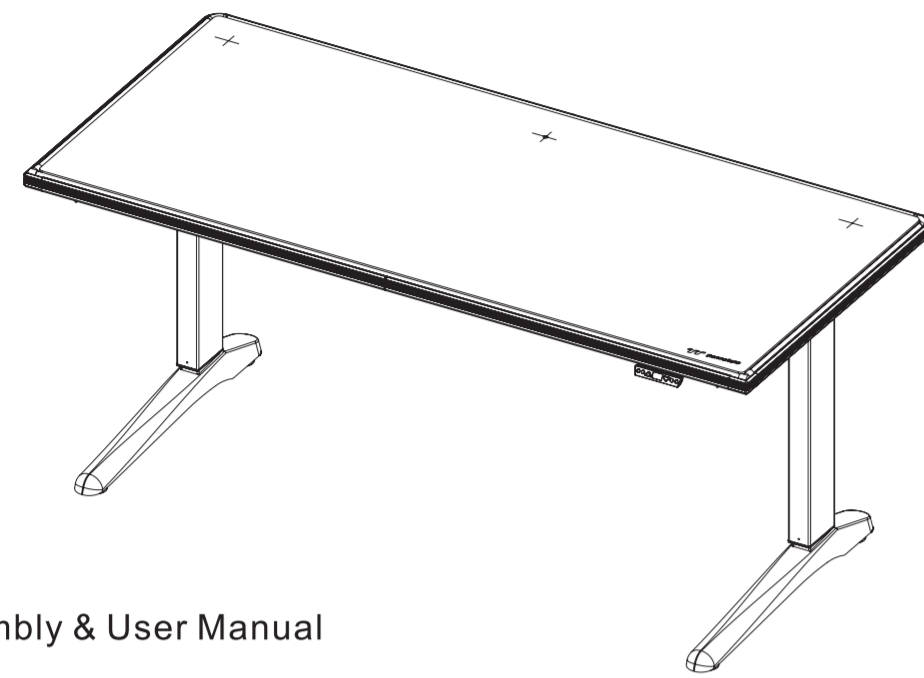




thermaltake

LEVEL 20 RGB BATTLESTATION GAMING DESK



Assembly & User Manual



WARNING: FAILURE TO COMPLY WITH OR OBSERVE ALL ASSEMBLY, SAFETY AND OPERATION INSTRUCTIONS AND WARNINGS REGARDING THE USE OF THIS PRODUCT MAY RESULT IN SERIOUS BODILY INJURY.

Important information

Please read this manual carefully.

- This document contains all relevant safety regulations. Any non-conforming use may result in personal injury or mechanical damage.
- Please read this operation manual carefully before use. The manual provides a lot of important information about the safety, use, assembly and subsequent maintenance of the lifting table; it can avoid many unnecessary injuries.
- If this desk is sold, please provide this manual to the buyer.
- Do not sit or stand on the desk. Do not crawl or lie under the desk.
- Failure to comply with or ignore any safety requirements, assembly instructions, user operations and related warnings may result in serious personal injury or mechanical damage. Please operate and Before assembly, I really understand the relevant regulations. This product is not a toy. Please be careful.
- Ensure that you have received all parts according to the component checklist prior to installation. If any parts are missing or faulty, telephone your local distributor for a replacement.
- If the supply cord is damaged, it must be replaced by the manufacturer and its service agent in order to avoid a hazard.

This product is not intended for use by young children without supervision.

- This product contains small items that could be a choking hazard if swallowed. Keep these items away from children.
- This product is intended for indoor use only. Using this product outdoors could lead to product failure and personal injury.
- This product can be used by children from 8 years old (supervised) to Adult. Users with disabilities or lack of experience and operating knowledge should be supervised and given careful instruction prior to using this product. The desk should never be sat on and children should be prohibited from having unsupervised contact with the product.
- Cleaning and user maintenance shall not be made by children without supervision.

Do not over tighten screws during installation.

- CAUTION :**
- Please place the product away from corrosive gas, water and dusty environment.
 - Alteration or modding of any factory components outlined in the checklist will automatically void your warranty.

USE & LIABILITY
This product is intended for indoor use only. Using this product outdoors could lead to product failure and personal injury. The height adjustable desk is designed for indoor use and dry work areas only. The desk height is adjustable so that it can be positioned at the most suitable height. Any other use is at user's risk. Under no circumstances does the manufacturer accept warranty claims or liability claims for damages caused from improper use or handling of the desk.

0 SPECIFICATION

Level 20 RGB BattleStation Gaming Desk

Motor	
Voltage	Input 110-240V, 50/60Hz, 1.5A Output 29V, 2.5A
Speed	49 RPM (+/- 5%)
Motor	1
Duty Cycle	10%. Max 2 mins on/ 18 mins off.
Torque	16 Nm
Safety certifications	Motor: CE / UL / TUV Power cord: CE
Controller	Standard 2-Button and Memory 4-Button
Frame	
Size	165cm(L) x 75cm(W) 64.9"(L) x 29.5"(W)
Height range	70cm ~ 110cm 27.5" ~ 43.3"
Foot size	68cm(L) x 6cm(W) x 7.5cm(H) 26.7"(L) x 2.3"(W) x 2.9"(H)
Max Load	150 kg / 330 lb
Material	Steel-constructed frame for max stability
Cable management	Yes

0 SPECIFICATION

Level 20 RGB BattleStation Gaming Desk

Desktop	
Size	165cm(L) x 75cm(W) 64.9"(L) x 29.5"(W)
Desktop thickness	3cm / 1.18"
Max desktop support	Up to super tower chassis (dimension: 27.2"/69CM x 13.5"/34.2CM x 25.4"/64.5CM)
Material	MDF desktop - premium material with anti-scratch / high-pressure Laminate P2
Scratch coating	Yes
Table feet material	Iron

RGB LED Lighting Strip

LED color	16.8 million colors
Software	iTAKE Gaming Engine
Input voltage	5V
Power requirements (Adapter)	Input 100~240V~50/60Hz 1.5A Output 5V5A

0 SPECIFICATION

Level 20 RGB BattleStation Gaming Desk

Digital Lighting Controller

Controller	RGB LED Strip control box
Input voltage	5V
Interface	USB 2.0 (9pin)
System Compatibility	Windows 7 / 8 / 8.1 / 10

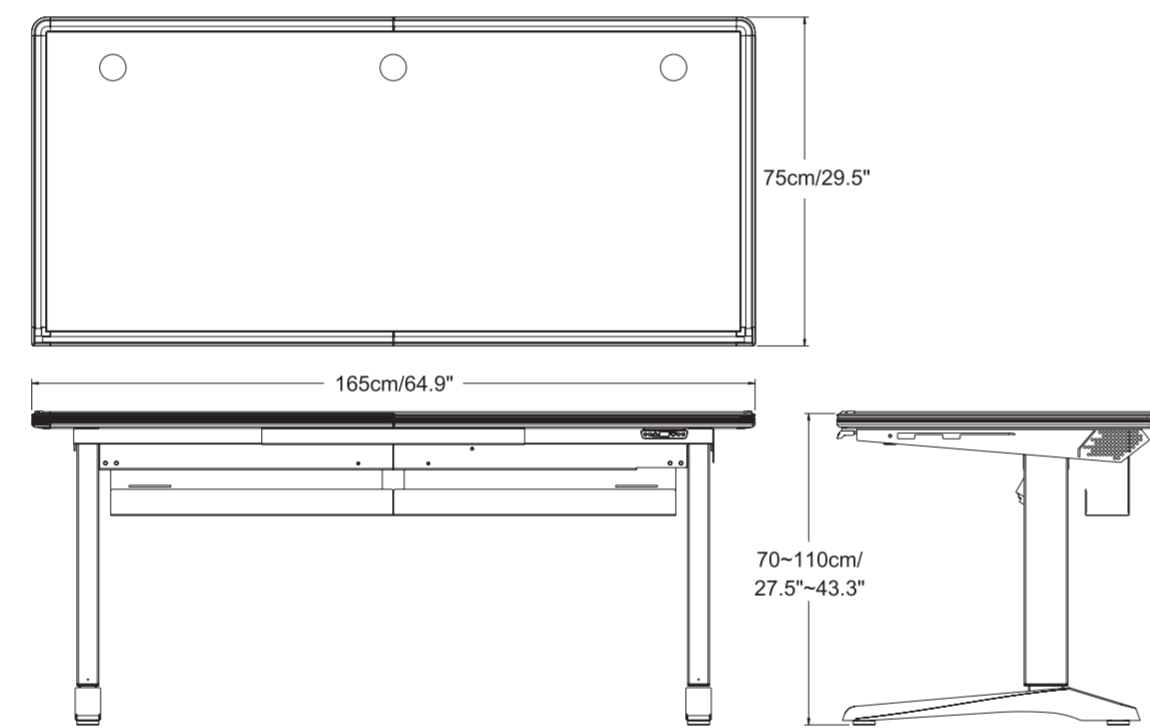
Others

Top finish	Black
Frame color	Black
Included extra large black mousepad	Dimension: 1606mm / 63.2"(L) x 705mm/27.7"(W) x 4mm / 0.157"(H) Balanced for speed and control playstyles Optimized surface for all mice and sensors Non-slip rubber base

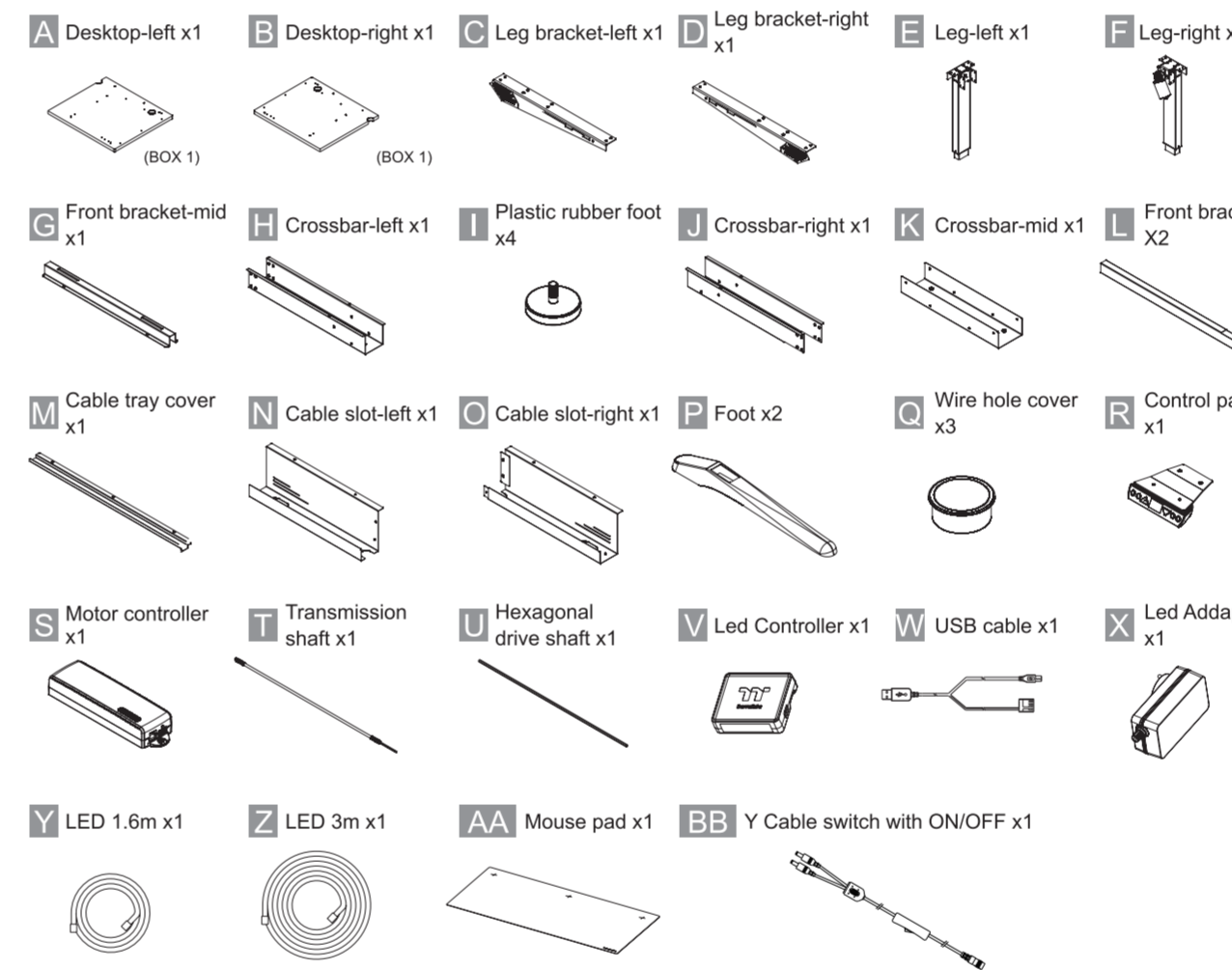
Shipping dimensions	95(L)x87(W)x35.5(H)CM Net weight: 68kg / 149.9 lb Gross weight: 80kg / 176.3 lb
---------------------	---------------------------------------------------------------------------------------

Warranty	2 year warranty(desktop, motor, frame, controller, RGB LED strip and mechanisms)
----------	----------------------------------------------------------------------------------

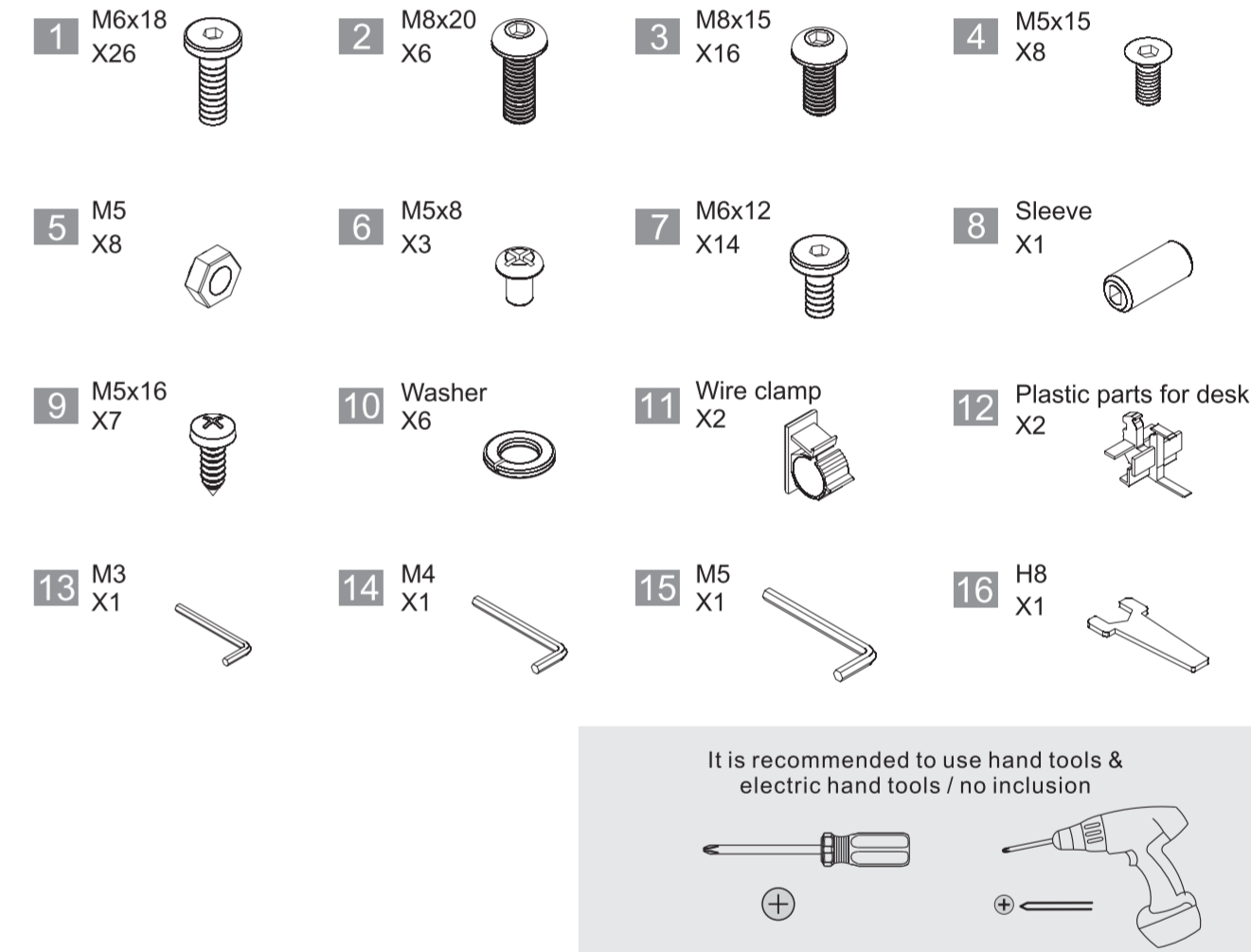
0 DESK DIMENSIONS



0 PARTS LIST

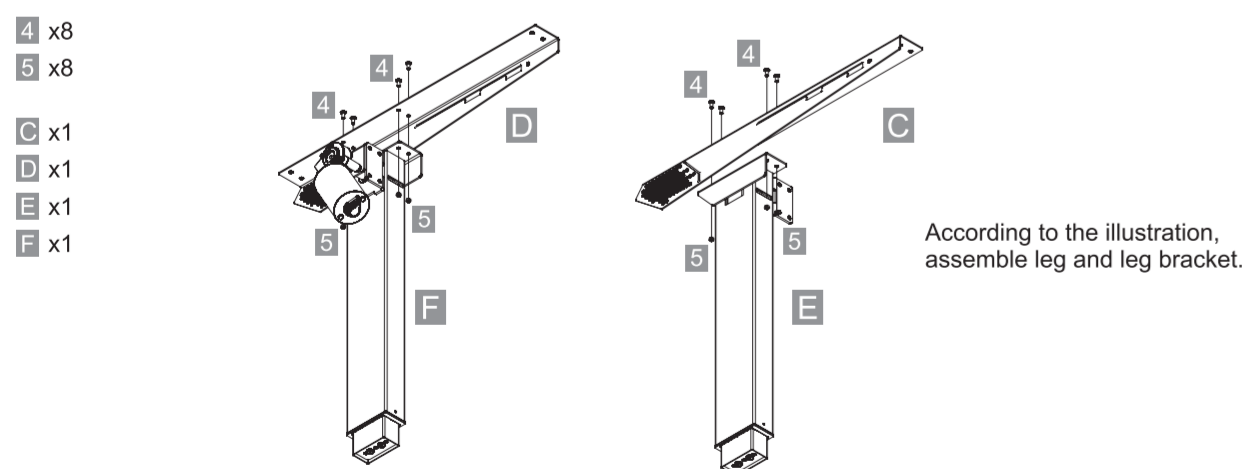


0 SCREW & TOOLS

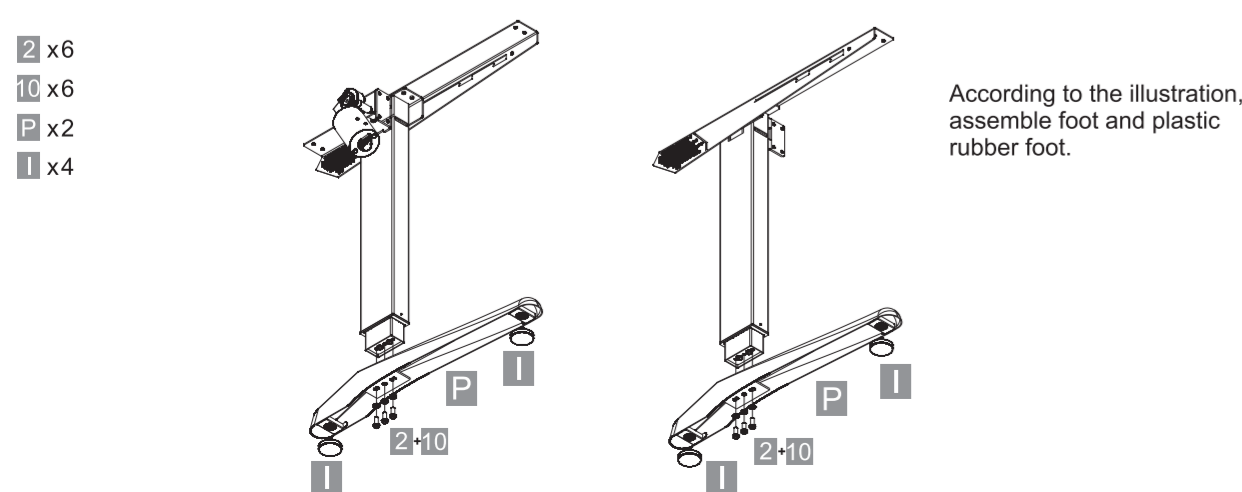


It is recommended to use hand tools & electric hand tools / no inclusion

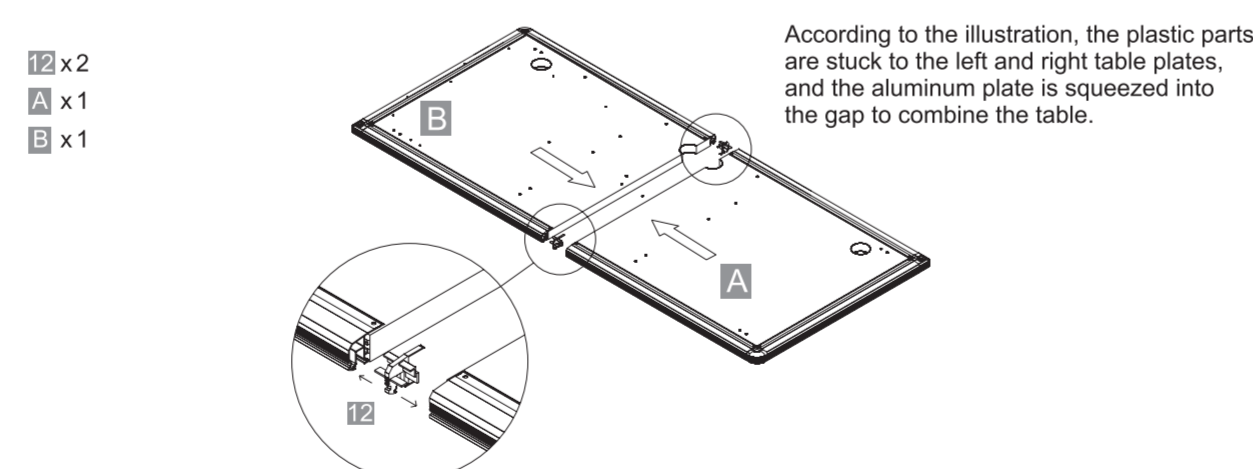
1 Assembling Leg & Leg Bracket



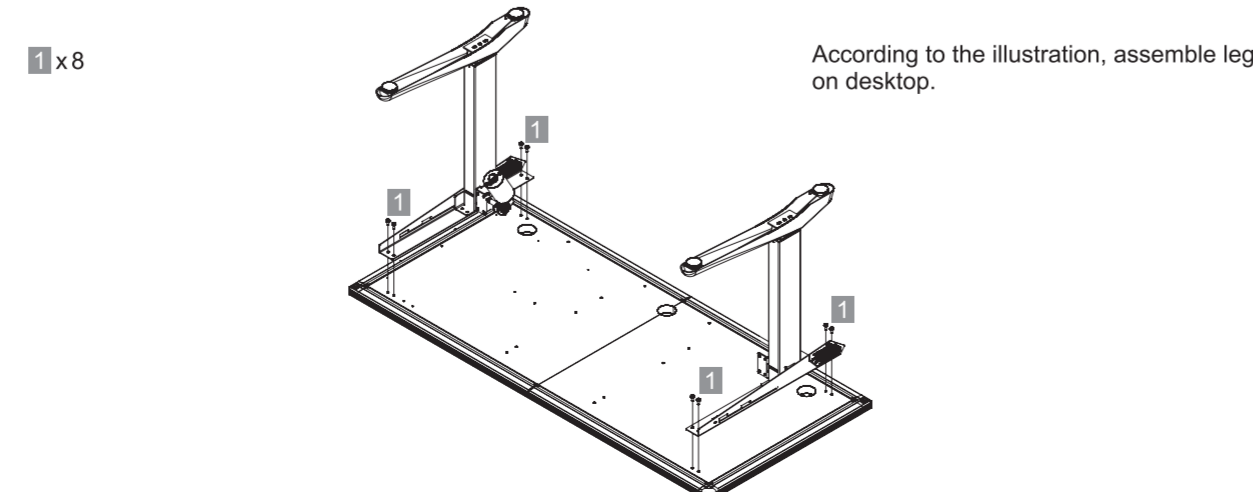
2 Assembling Foot & Plastic Rubber Foot



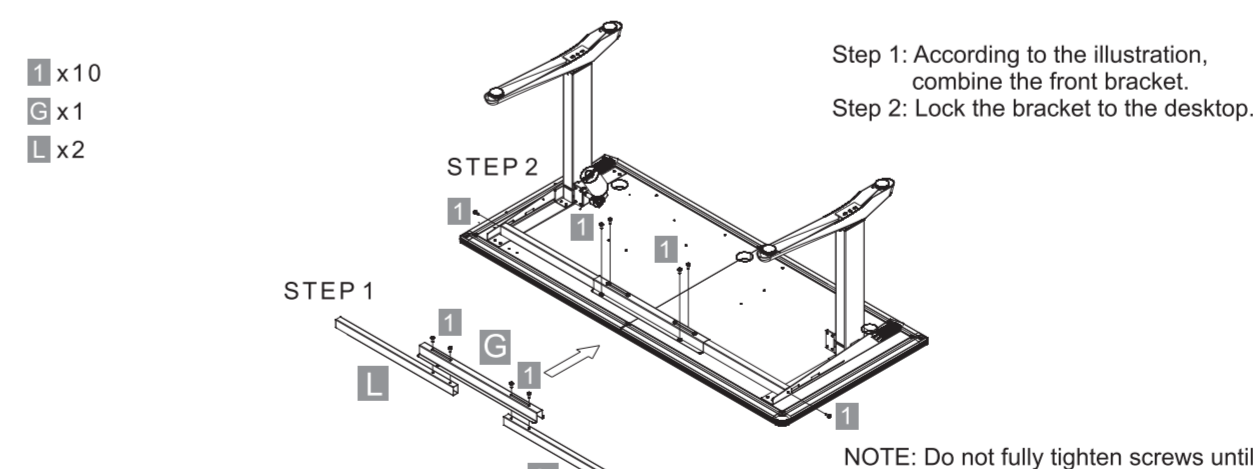
3 Assembling Desktop



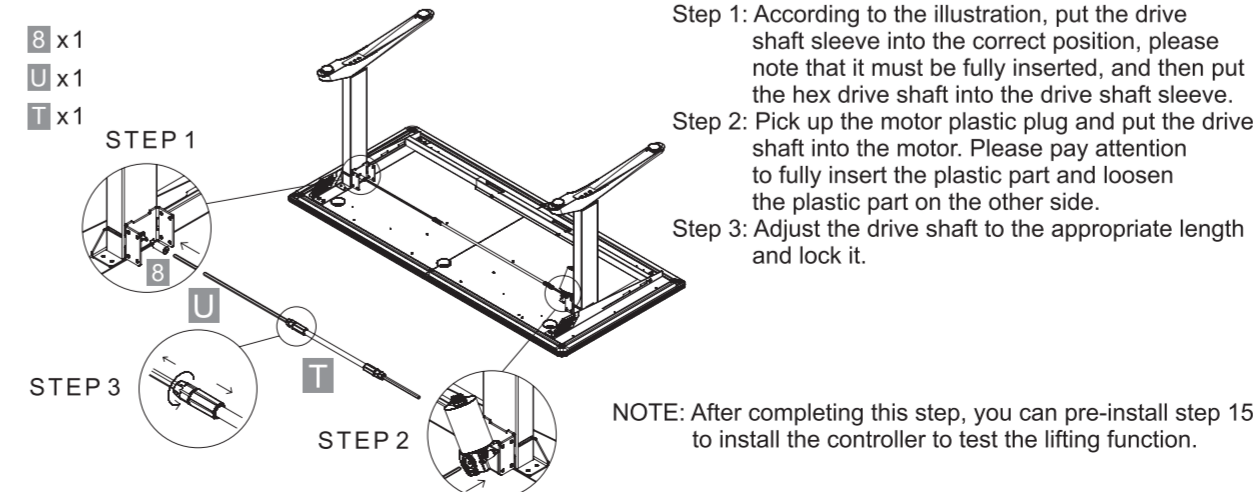
4 Assembling Foot



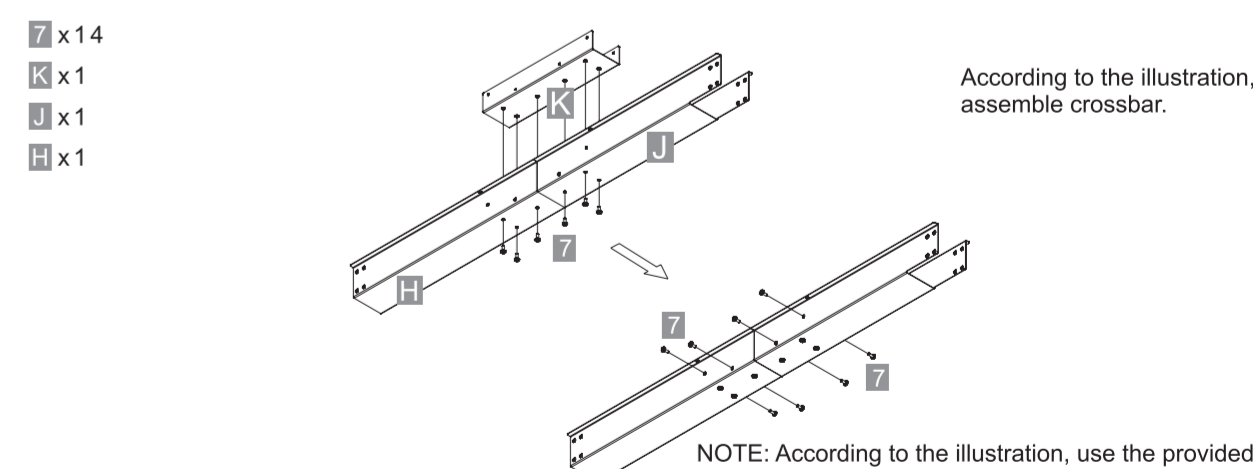
5 Assembling Front Bracket & Desktop



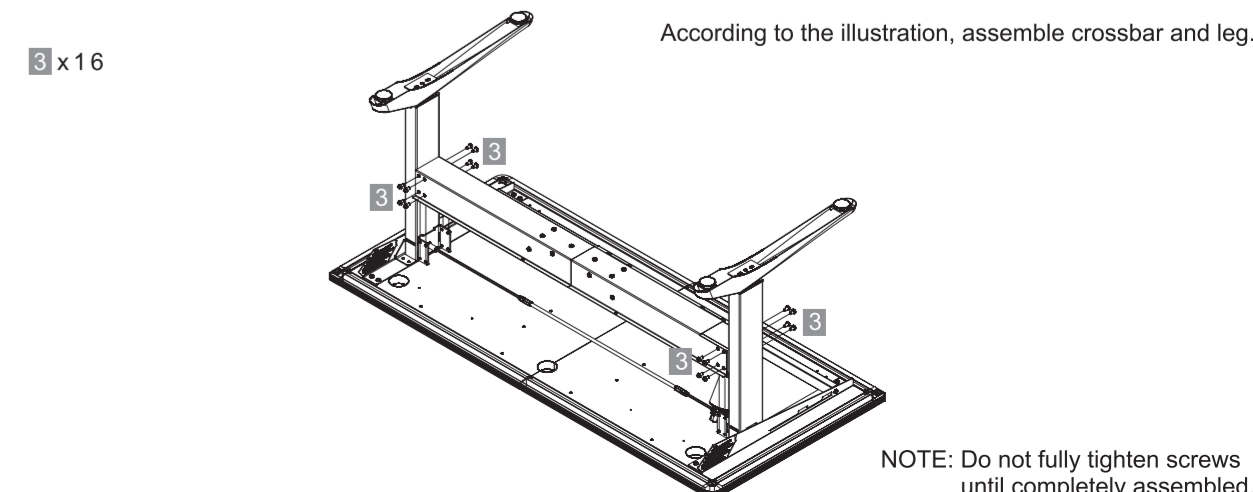
6 Assembling Transmission Shaft



7 Assembling Crossbar

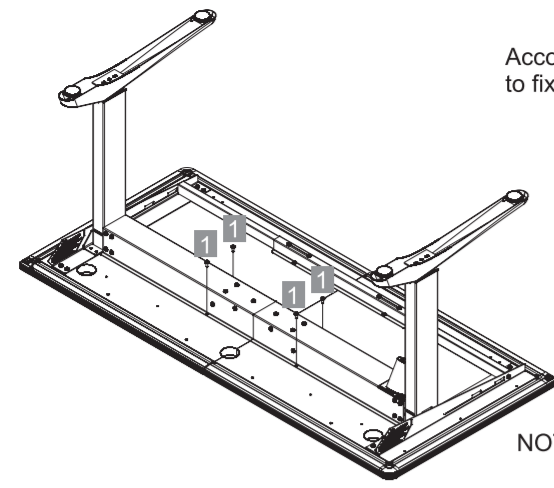


8 Assembling Crossbar & Leg



9 Assembling Crossbar & Desktop

I x4

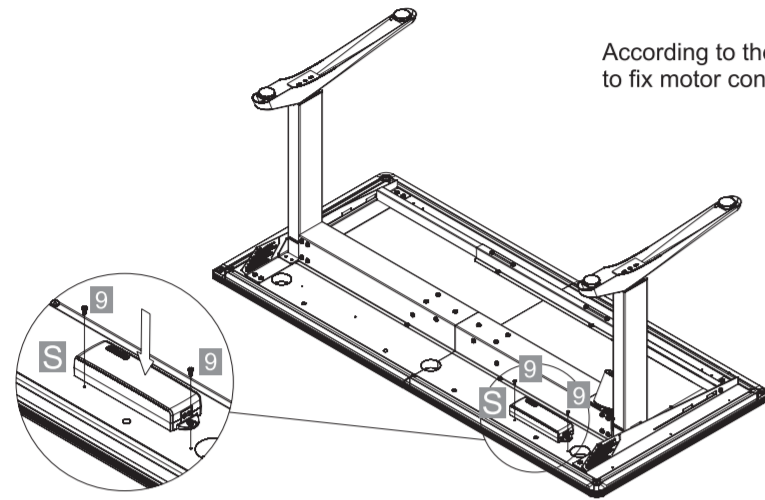


According to the illustration, use screws to fix crossbar onto desktop.

NOTE: Do not fully tighten screws until completely assembled.

10 Assembling Motor Controller

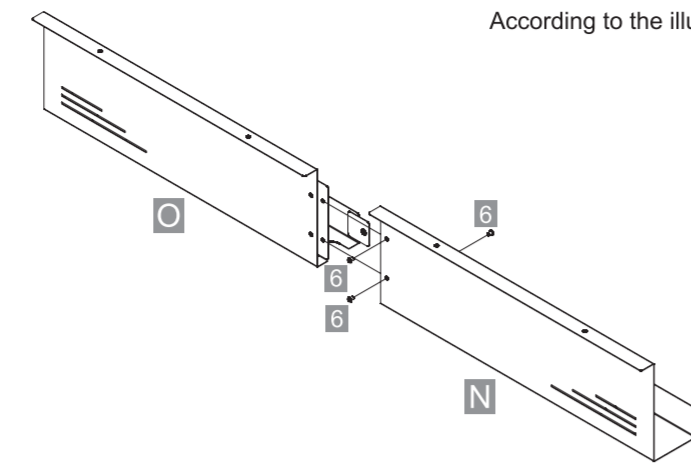
G x2
S x1



According to the illustration, use screws to fix motor controller onto desktop.

11 Assembling Cable Slot

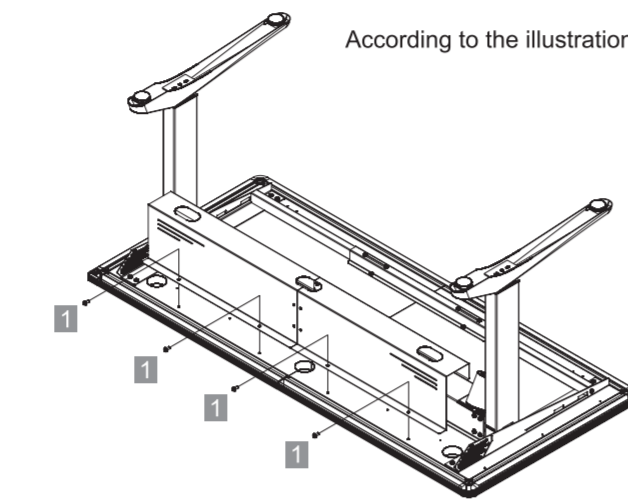
G x3
N x1
O x1



According to the illustration, assemble cable slot.

12 Fixing Cable Slot to Desktop

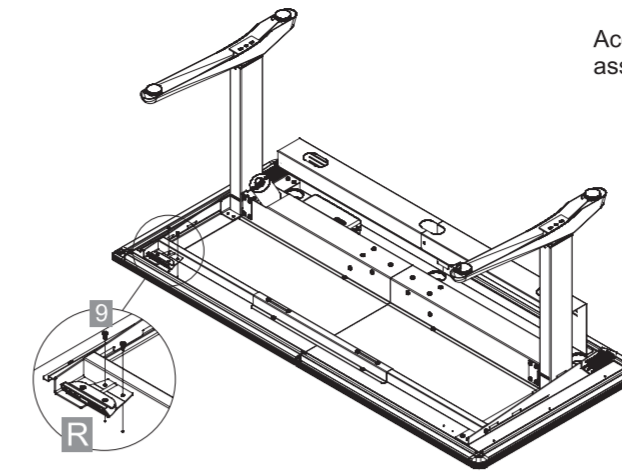
I x4



According to the illustration, assemble cable slot onto desktop.

13 Assembling Control Panel

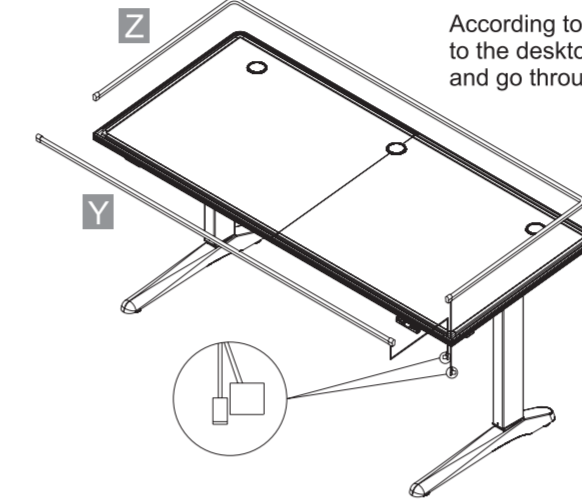
G x2
R x1



According to the illustration, assemble control panel onto desktop.

14 Assembling LED

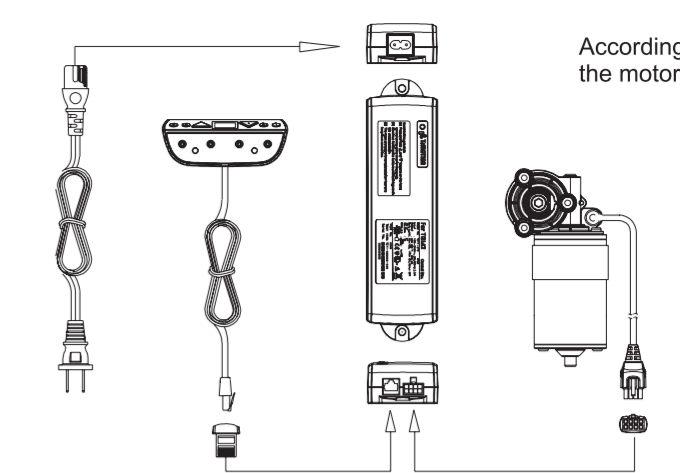
Y x1
Z x1



According to the illustration, assemble the LED to the desktop, and let the LED control line, and go through the hole on the lower right side.

15 Assembling Motor Set

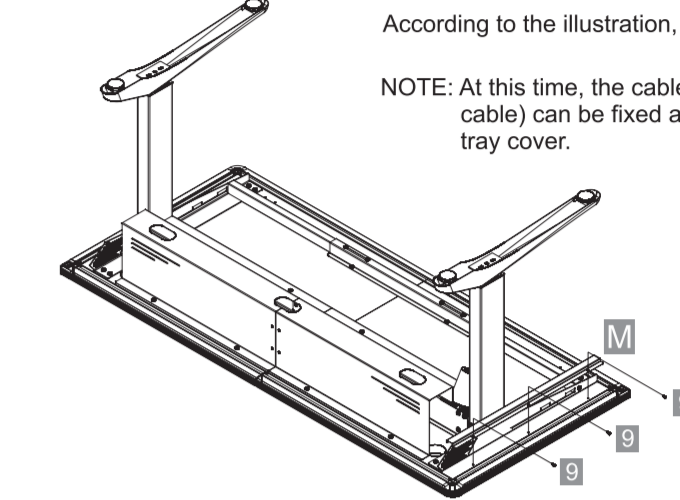
S x1
R x1



According to the illustration, assemble the motor controller and panel controller.

16 Fixing Cable Tray Cover

G x3
M x1

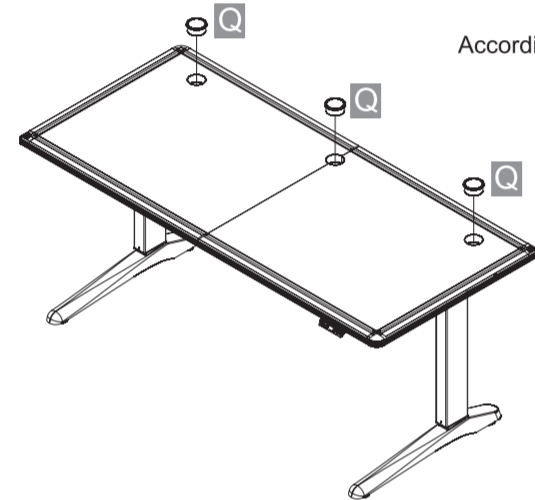


According to the illustration, assemble the cable tray cover.

NOTE: At this time, the cable (LED strip/motor lift controller cable) can be fixed after being placed in the cable tray cover.

17 Fixing the Wire Hole Cover

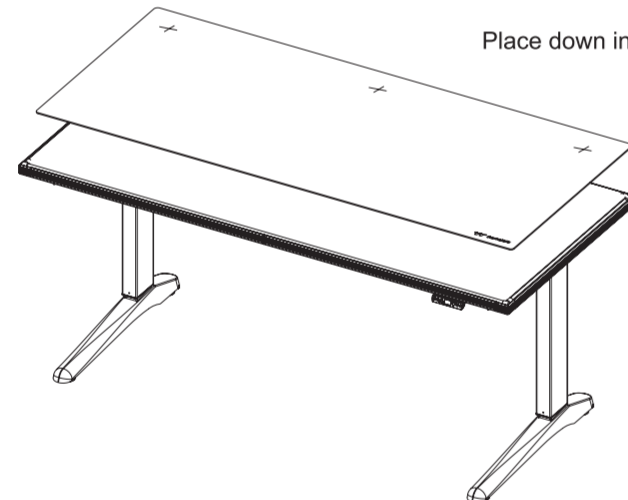
Q x3



According to the illustration, fix wire hole cover.

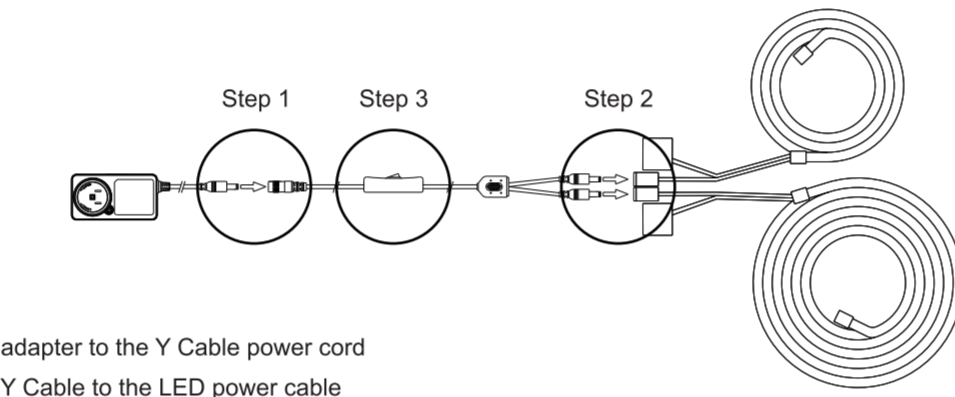
18 Mouse Pad

AA x1



Place down included full surface mouse pad.

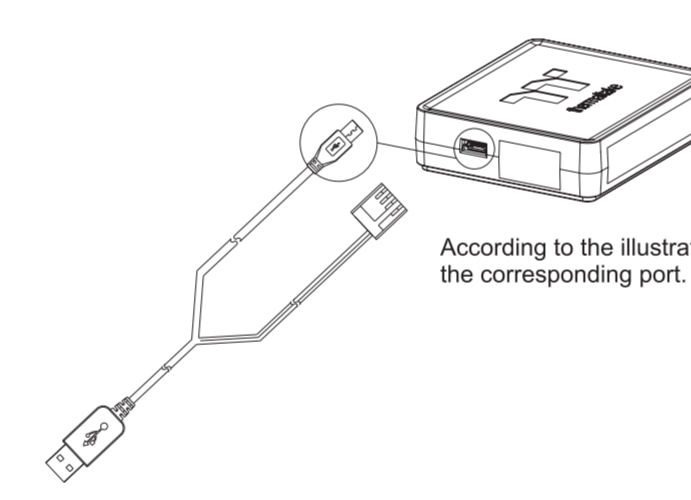
19 LED Strip Power Supply Installation Guide



Step 1. Connect the adapter to the Y Cable power cord
Step 2. Connect the Y Cable to the LED power cable
Step 3. LED strip ON/OFF switch

20 Assembling LED Controller (STEP 1)

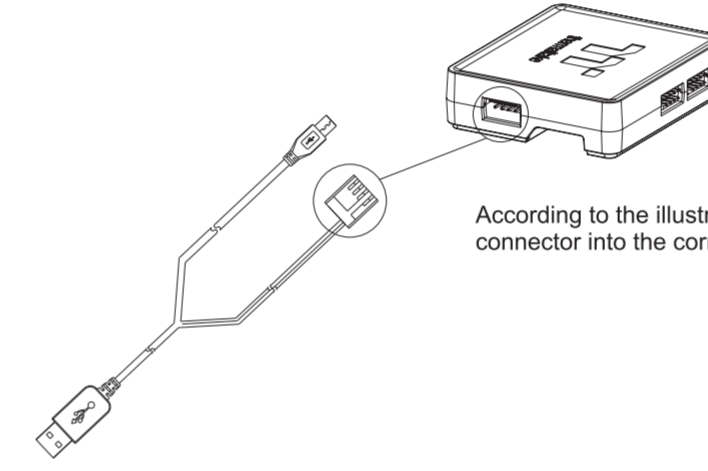
V x1
W x1



According to the illustration, insert the Micro USB into the corresponding port.

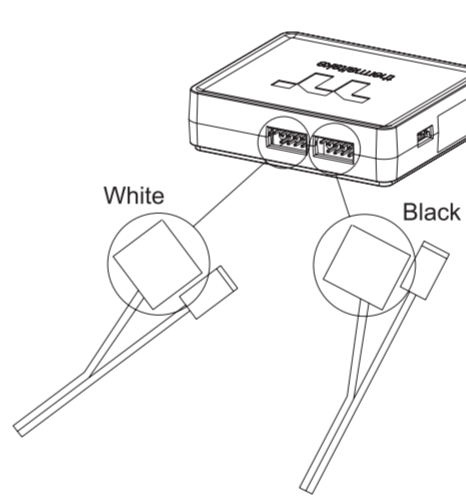
21 Assembling LED Controller (STEP 2)

V x1
W x1



According to the illustration, insert the small 4-pin connector into the corresponding port.

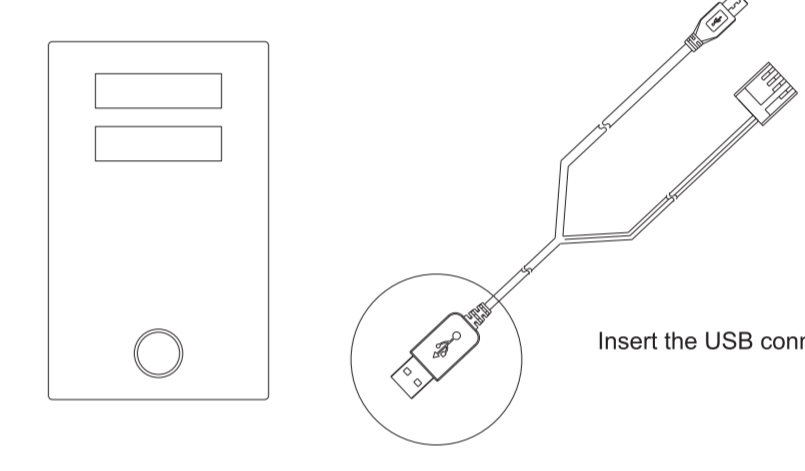
22 Assembling LED Controller (STEP 3)



According to the illustration, insert the USB 9-pin cable into the opposite hole (please note the difference in color).

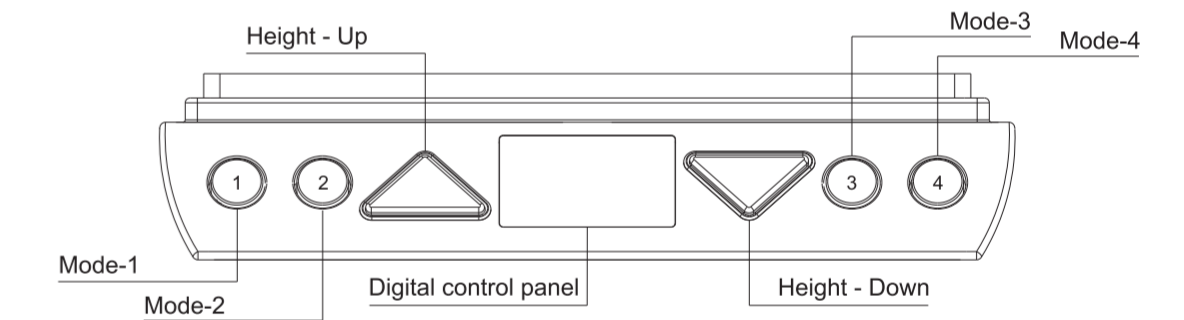
Note
1.6m (LED): White terminal
3m (LED): Black terminal

23 USB installation



Insert the USB connector into your computer.

24 Panel Controller Instructions



IMPORTANT: You must reset the desk prior to use. Make sure no obstacles are in the desk's path and the desk is clear of walls. Verify all cables are the appropriate length to accommodate the max height.

Control panel

1. Press and hold ▲ to raise height level.
2. Press and hold ▼ to lower height level.
3. Display will turn off after 10 seconds of. Press any button to activate display.

Reset

1. Press both ▲ and ▼ buttons at the same time for 3 seconds to reset desk to default position. The control box will 'beep' to confirm successful reset. Pressed buttons can now be released.
2. When conducting reset, display will show "E00" during last 100mm. When finished resetting, display will indicate default starting height.
3. If ▲ and ▼ buttons are released before reset is completed, the desk will not function. The display will indicate "E00" if any button is pressed. User must complete reset procedure to revert to normal operation.
4. Reset is necessary for first operation of the desk.

Starting Height Display change

1. Default starting height is 70cm.
2. To adjust the starting height, press ▼ button to go to the lowest position of the desk. At the lowest position, press ▼ button again for at least 5 seconds, display starts flashing for 10 seconds.
3. During the 10 seconds, press ▲ or ▼ buttons to adjust the starting height number. After 10 seconds, the display stops flashing and the preferred starting height is shown and has been stored.

Storing Memory Profiles

1. Supports 4 memory positions.
2. Operate the desk to preferred height.
3. Press any of ①②③④ together with ▲ or ▼ for 2 seconds to store the current height. Display shows P1/P2/P3/P4 when the position has been stored.
4. When there is already a position stored, hold the button ①②③④ until the desk reaches the stored height.
5. Stored position can only be overwritten but not to be cleared.

Customizing Desk Height – setting new upper & lower limits for your desk

Setting Upper Limit

1. Operate the system and stop at the preferred upper limit height.
2. Press ▲ + ▼ together, and release ▼ within 3 seconds (before it goes to reset mode)
3. Keep holding ▲ and press ▼ button 5 times continuously.
4. One 'beep' sound will indicated successful completion of setting.

Setting Lower Limit

1. Operate the system and stop at the preferred lower limit height.
2. Press ▲ + ▼ together, and release ▲ within 3 seconds (before it goes to reset mode)
3. Keep holding ▼ and press ▲ button 5 times continuously.
4. One 'beep' sound will indicated successful completion of setting.

Clearing Upper Limit

1. Go to set upper limit.
2. Press ▲ + ▼ together, and release ▼ within 3 seconds (before it goes to reset mode)
3. Keep holding ▲ and press ▼ button 5 times continuously.
4. One 'beep' sound will indicated successful completion of setting.

Clean Lower Limit

1. Go the set lower limit.
2. Press ▲ + ▼ together, and release ▲ within 3 seconds (before it goes to reset mode)
3. Keep holding ▼ and press ▲ button 5 times continuously.
4. One 'beep' sound will indicated successful completion of setting.

RESET (Reset Limitation)

1. Using the reset function will reduce desktop height to lowest default height setting of 70cm.
2. Using the reset function will result in the desk exceeding the preset lower height limit, if one has been set.
3. After resetting, desk will only be able to move up until preset lower height limit has been passed.
4. After reset, when height exceeds the new lower limit, a 'beep' will sound as confirmation.

25 TROUBLESHOOTING

1. If your desk is not functioning properly it may need to be reset. Unplug the power cord for 20 seconds. Plug the power cord back in and follow the RESET procedure outlined in Step 23.
2. Reset may be needed from time to time in events like non-movement, uneven movement, sudden power outage, over-load, overheat and etc.

26 ERROR CODE FOR DESK WITH MEMORY CONTROLLER

Error Code	Protection	Situation	Buzzer Alert	Solution
E00	Incomplete reset	Reset incomplete. ex. release of any button while retracting	None	Keep pressing UP&DOWN buttons at the same time til hear 1 Beep from control box(TC).
E01	Overuse protection (10% duty cycle)	The protection will be activated after operating continuous use more than 5mins.	E01 flashes for 5 secs. Long 3 beeps.	Stop playing the desk for 3 mins at least, it needs calm down for a while after working too hard.
E03	Anti-collision (Basic function in control box for specific software)	Collision detection during operation.	E03 flashes for 5 secs. No beep. Desk reverses for 40mm.	Remove the obstacle. Desk can be operated again after it stops from reversing.
E04	Anti-collision T-touch Protection	1. Collision detection during operation. 2. T-touch does not fixed well.	E04 flashes for 5 secs. No beep.	Remove the obstacle or fix t-touch well. Desk can be operated again after it stops from reversing
E11	Motor overcurrent Overload protection	1. Desk overload. 2. Internal transmission of column is jammed	E11 flashes for 5 secs. 5 beeps.	Check the load on the desk if it's overloaded. If not, please contact supplier for mechanism inspection.
E21	Motor no Hall sensor signal	Desk is not allowed to operate.	E21 flashes for 5 secs. Long 1 beep.	Check the cable status if any damage, reset before operating. Contact supplier for motor or motor cable replacement.
E31	Motor No current	Desk is not allowed to operate.	E31 flashes for 5 secs. 4 beeps.	Check all the plugs if connecting well. Re-plug all the plugs are recommended.

For the latest User Installation Guide, please visit: www.thermaltake.com



thermaltake

© 2019 Thermaltake Technology Co., Ltd. All Rights Reserved.