

# Pacific M3

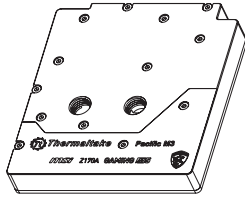
## CPU Water Block

This product is intended for installation only by expert users. Please consult with a qualified technician for installation. Improper installation may result in damage to your equipment.

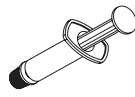
Before you start using this product please follow these basic guidelines:

1. Please carefully read through the instruction manual before beginning the installation process.
2. Please remove your graphics card from your motherboard to insure the safest process and in order to prevent any possible damages to your CPU and motherboard.
3. It is strongly recommended to use market proven pre-mix coolant, such as Thermaltake Coolant 1000.

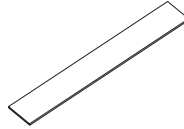
### Parts List



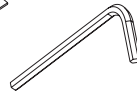
**A** x 1  
Water Block



**B** x 1  
Thermal compound



**C** x 4  
Thermal pad



**E** x 1  
Wrench



**D** x 4  
M3 Screw



**E** x 4  
M4 Screw

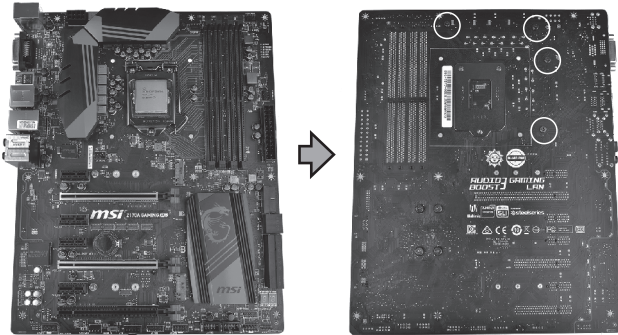


**F** x 8  
Washer



**G** x 4  
Washer

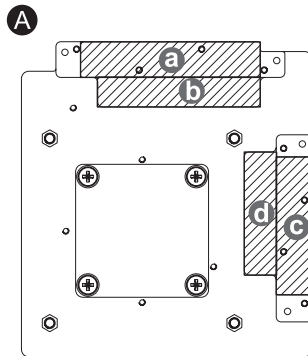
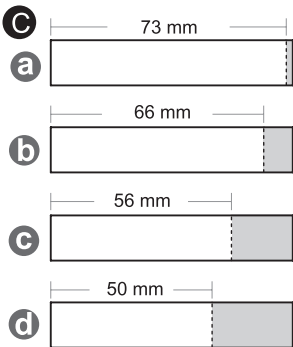
### 1 Remove Thermal Module



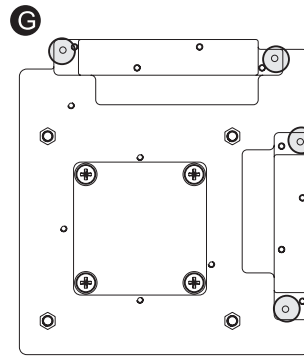
### 2 Remove the thermal pad on the south bridge and clean carefully



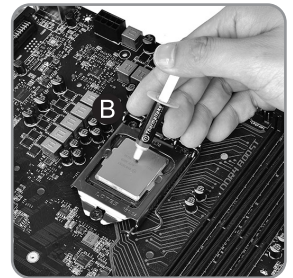
### 3 Cut the thermal pads to the dimensions listed and place them on the spots shown on the diagram



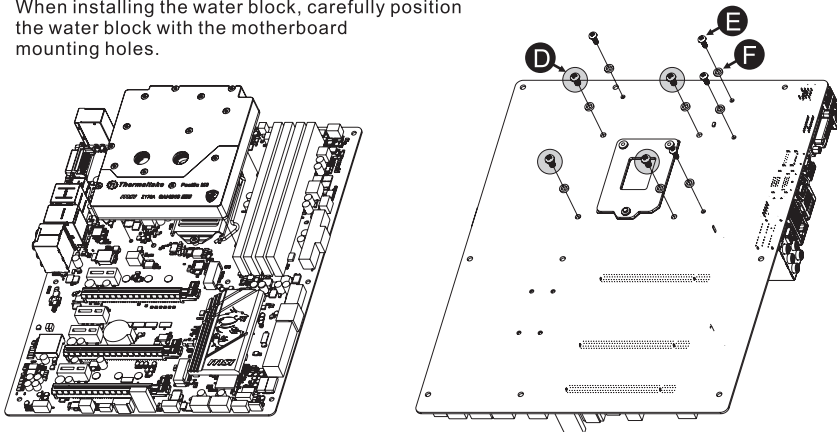
### 4 Stick on the G. Washer x4 to the spots circled on the water block diagram



### 5 Apply thermal compound.



### 6 When installing the water block, carefully position the water block with the motherboard mounting holes.



### 7 Install your fittings and tubes.

